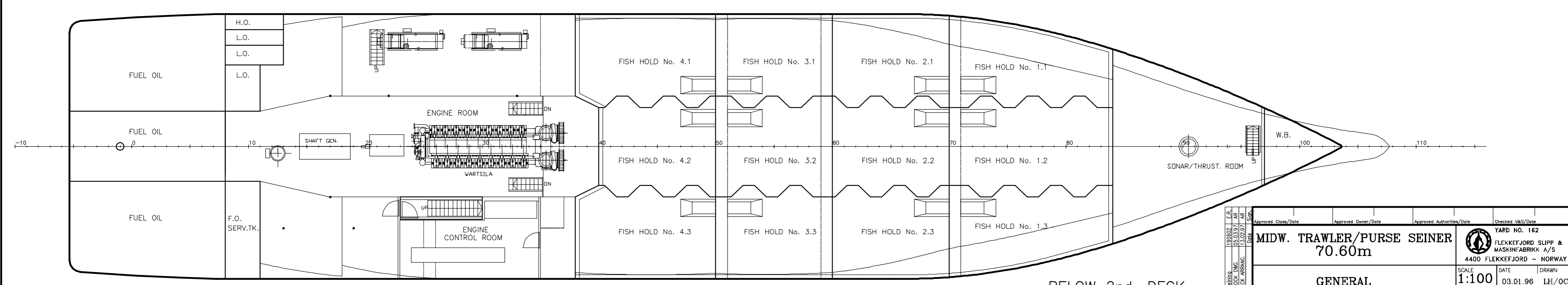
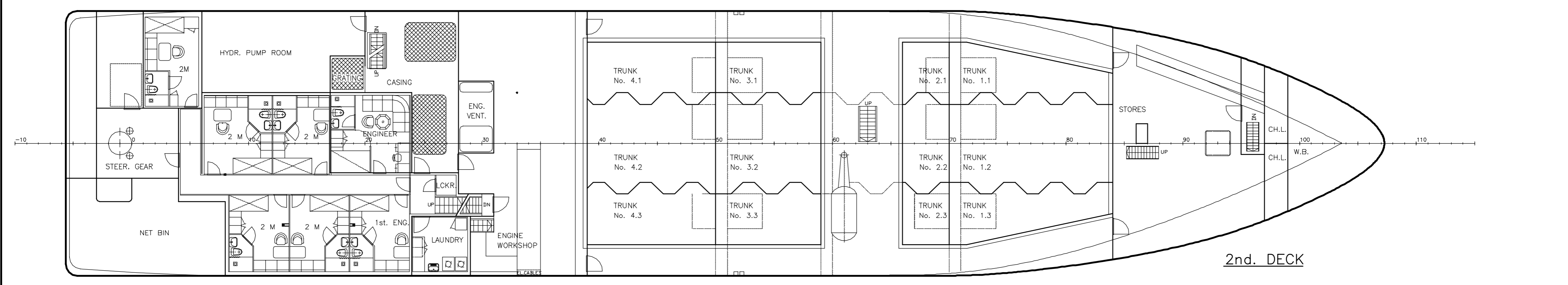
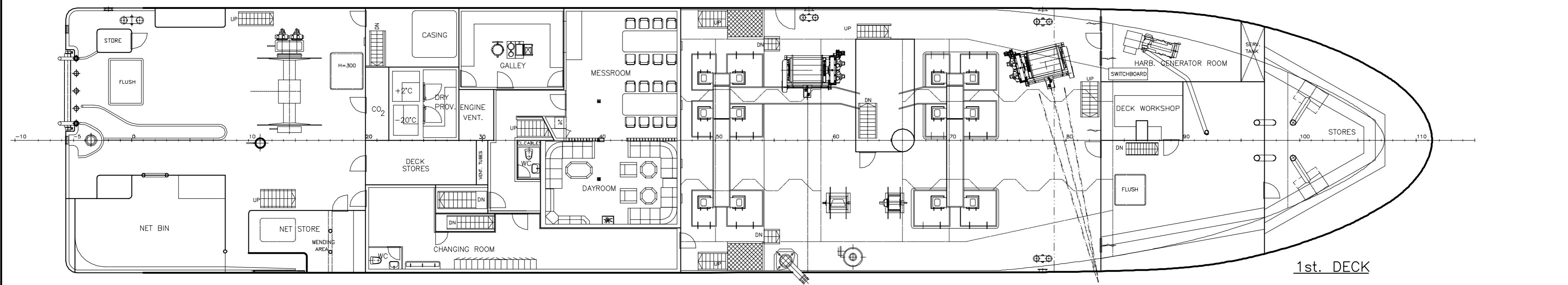
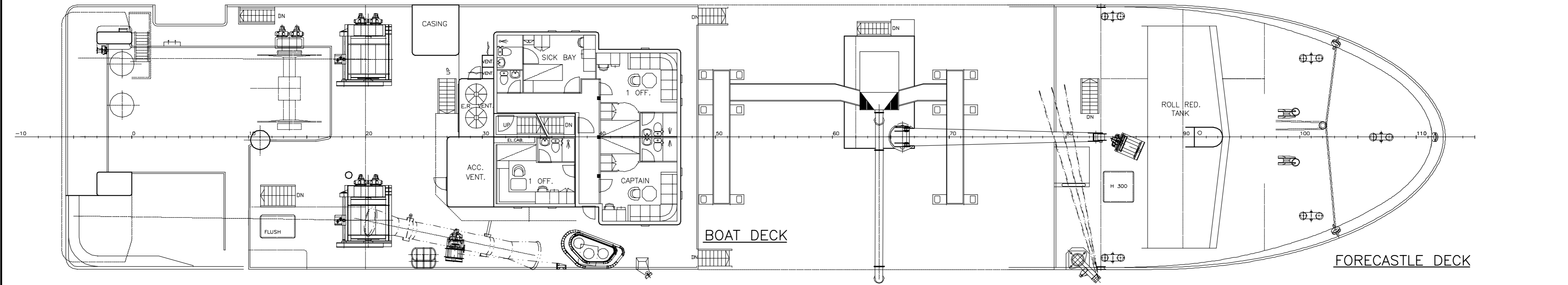


PRINCIPAL PARTICULARS

LENGTH OVER ALL: 70.60 m
 LENGTH BETWEEN PERP: 61.80 m
 BREADTH MOULDED: 13.60 m
 DEPTH TO 1st.DECK: 8.60 m
 DEPTH TO 2nd.DECK: 6.00 m
 FRAME SPACING: 0.60 m



Approved Date/Date	Approved Date/Date	Approved Address/Date	Checked V&S/Date
MIDW. TRAWLER/PURSE SEINER 70.60m			YARD NO. 162 FLEKKEFJORD SLIPP & MASKINABROKK A/S - NORWAY 4400 FLEKKEFJORD - NORWAY
SCALE	DATE	DRAWN	REV.
1:100	03.01.96	LH/OCC	C
GENERAL ARRANGEMENT		V&S DRAWING NO.	SHEET
		2137	1/1
V&S NORWAY AS Sjøfartsteknisk konsulent AS P.O. BOX 113 NO-4040 STAVANGER, NORWAY TEL. +47 55 46 75 00 FAX +47 55 46 75 05 TELEGRAM: VIKSAS		101-BG195	